

DESCRIPTION:

PMI MODEL NUMBER DTA-0R5G45-60-CD-1 IS A NON-REFLECTIVE 10 BIT PROGRAMMABLE 60 DB PIN DIODE ATTENUATOR WITH STEP RESOLUTION AS LOW AS 0.06 DB OVER THE FREQUENCY RANGE OF 2.0 TO 18.0 GHZ.

SPECIFICATIONS:

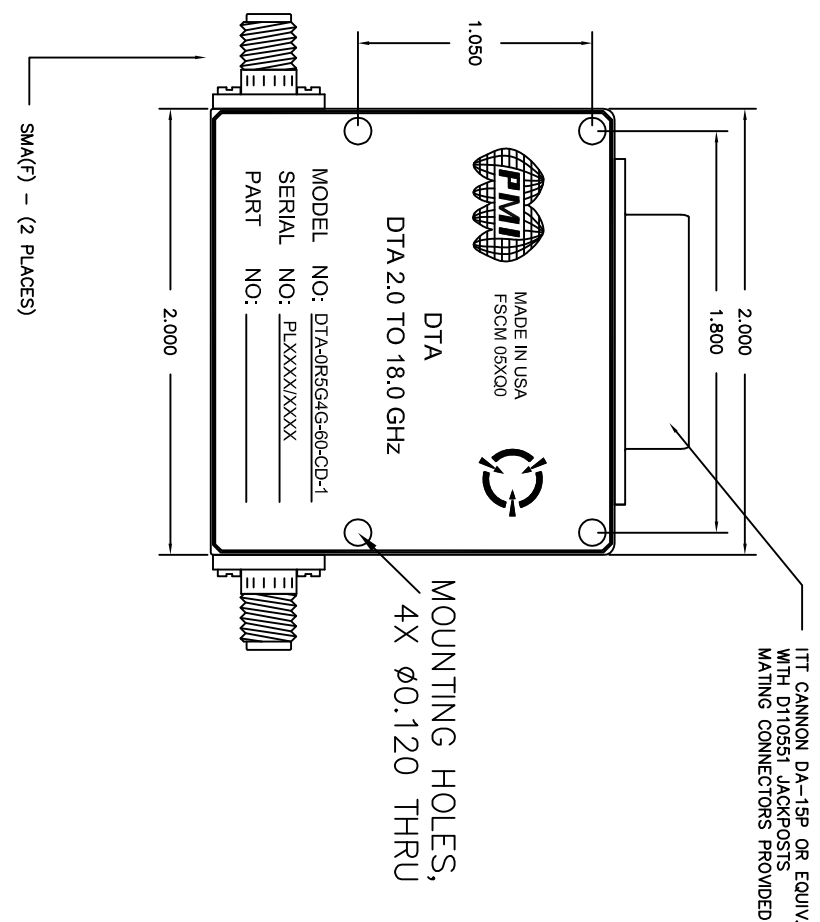
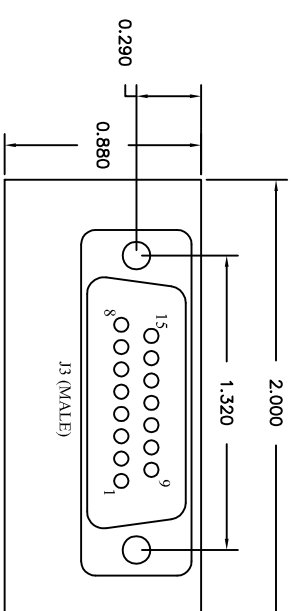
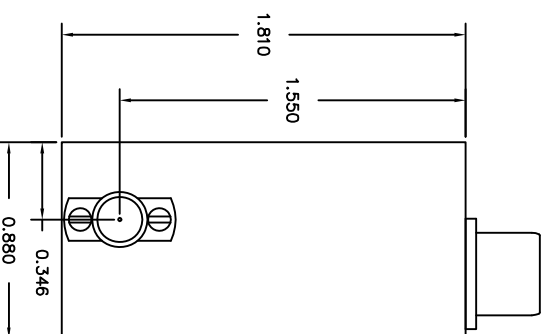
- FREQUENCY: 2.0 GHZ TO 18.0 GHZ
- MEAN ATTENUATION RANGE: 60dB
- INSERTION LOSS: 4.5 DB MAX
- VSWR: 2.0 :1
- SURVIVAL POWER: 2W (-65C TO +25C)
- FLATNESS UP TO
 - 20 DB ±1.0 DB
 - 40 DB ±1.25 DB
 - 60 DB ±3.0 DB
- ACCURAY OF ATTENUATION
 - 0 DB TO 20 DB ±1.0 DB
 - 20 DB TO 40 DB ±1.5 DB
 - 40 DB TO 60 DB ±2.0 DB
- MINIMUM ATTENUATION STEP: 0.06 DB
- POWER HANDLING CAPABILITY: Up to 50mW CW
2W Average or peak from -65C to +25C (SURVIVAL)
- SWITCHING TIME
 - ON TIME 1.0 USEC MAX
 - OFF TIME 0.5 USEC MAX
- POWER SUPPLY: 15V @ 100mA
-15V @ 100 mA
- CONNECTORS: 2 SMA & 15 PIN D-SUB
- WEIGHT: 3.0 oz (85 gm) Approximate
- FINISH: PAINTED GREY

ENVIRONMENTAL RATINGS:

- TEMPERATURE: -50°C TO +100°C (OPERATING)
-65°C TO +125°C (STORAGE)
- HUMIDITY: MIL-STD-202F, METHOD 103B COND. B
- SHOCK: MIL-STD-202F, METHOD 213B COND. B
- VIBRATION: MIL-STD-202F, METHOD 204D COND. B
- ALTITUDE: MIL-STD-202F, METHOD 105C COND. B
- SALT FOG: MIL-STD-202F, METHOD 107D COND. A
- FUNGUS: MIL-STD-810C, METHOD 508.2
- TEMPERATURE CYCLE: MIL-STD-202F, METHOD 107

NOTE: THE ABOVE SPECIFICATIONS ARE SUBJECT TO CHANGE OR REVISION

PIN NO:	J3 PIN FUNCTIONS
1	GND
2	Not Connected
3	0.13 DB
4	GND
5	0.25 DB
6	0.5 DB
7	1.0 DB
8	2.0 DB
9	4.0 DB
10	8.0 DB
11	16.0 DB
12	32.0 DB (MSB)
13	+V
14	-V
15	0.06 DB (LSB)



- LOGIC INPUT
LOGIC "0" (BIT OFF) -0.3 to +0.8V
LOGIC "1" (BIT OFF) +2.0 to +5.0V
CURRENT 10uA max.

REVISIONS				
ZONE	REV.	DESCRIPTION	DATE	APPROVED
	A	ORIGINAL RELEASE	2/9/11	

PLANAR MONOLITHICS INDUSTRIES, INC.
 7311-F GROVE ROAD
 FREDERICK, MARYLAND 21704 USA
 TEL: 301-662-5019 FAX: 301-662-1731
 WEBSITE: www.pmi-ri.com
 E-MAIL: sales@pmi-ri.com
 ISO 9001:2008 CERTIFIED



APPROVALS		DATE	TITLE			
DRAWN		2/9/11	PRODUCT FEATURE			
CHECKED			DTA-2G18G-60-CD-1			
ISSUED			SIZE	FSCM NO.	DWG NO.	REV.
			A	05X00	27013141	A
			SCALE	N:S	SHEET	1 OF 1

ALL DIMENSIONS ARE IN INCHES
 TOLERANCES:
 XXX ±0.010
 XXXX ±0.005