

**w.w.Cannon, Inc.**  
 2653 Brenner Dr., Dallas, TX 75220  
 Phone: 800-442-3061 Fax: 214-357-4576  
 www.wwcannon.com

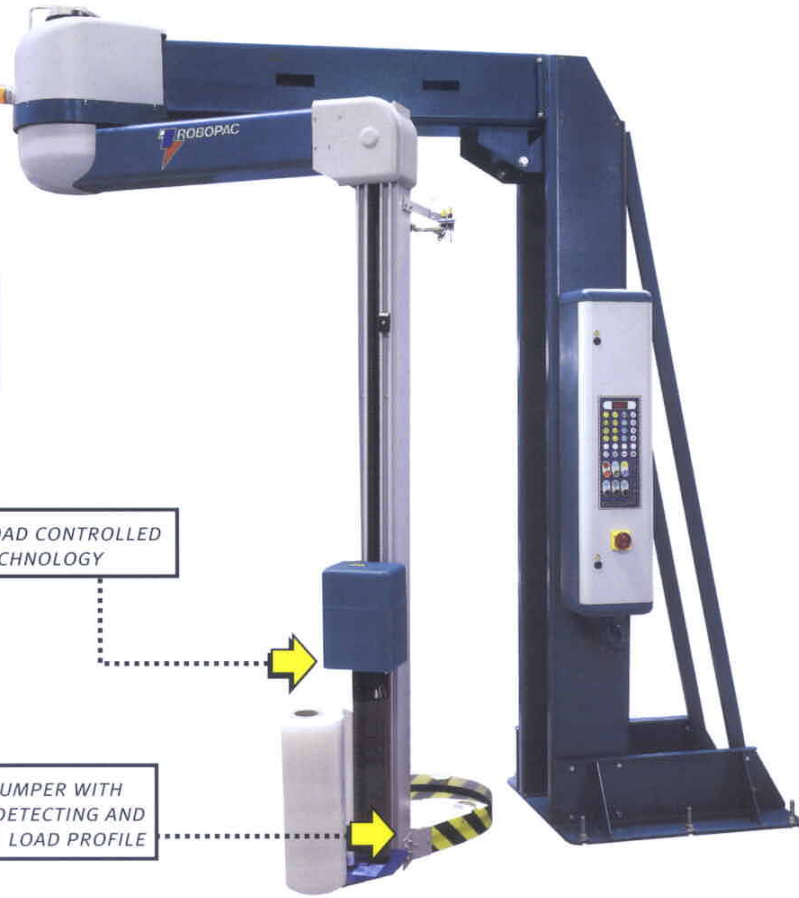
# ROTOWRAP

HEAVY DUTY RING GEAR  
 BEARING DRIVE

TWO VERSIONS FOR VARIOUS NEEDS:  
 C - FLOOR MOUNT  
 W - WALL MOUNT

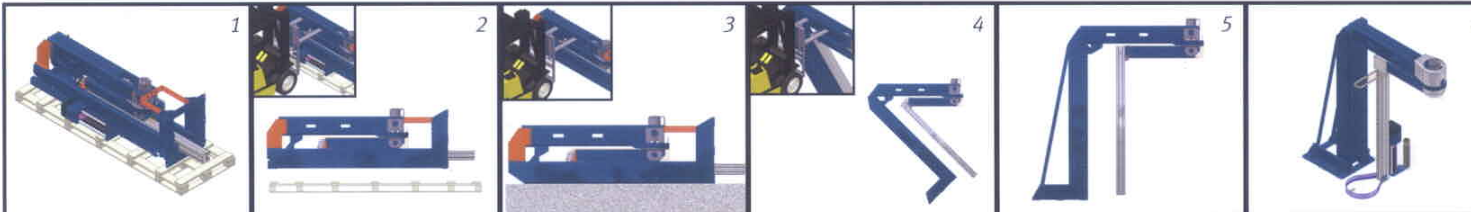
FORCE TO THE LOAD CONTROLLED  
 BY LOAD CELL TECHNOLOGY

EMERGENCY BUMPER WITH  
 PHOTOCELLS DETECTING AND  
 CONTROLLING LOAD PROFILE



## FOLDABLE DESIGN FOR SHIPPING AND INSTALLATION COST SAVINGS

### ROTOWRAP C VERSION MACHINE PRESET FOR ANCHORING TO THE FLOOR : INSTALLATION SEQUENCE



MACHINE ON SHIPPING SKID

REMOVE SHIPPING SKID

PLACE MACHINE ON FLOOR AND REMOVE SHIPPING BRACKETS

LIFT MACHINE TO VERTICAL POSITION

ANCHOR THE MACHINE TO THE FLOOR

INSTALL FILM CARRIAGE, SAFETY BUMPER AND PHOTOEYE

another Robopac innovative packaging solution from



**w.w.Cannon, Inc.**  
 2653 Brenner Dr., Dallas, TX 75220  
 Phone: 800-442-3061 Fax: 214-357-4576  
 www.wwcannon.com

# ROTOWRAP

## SEMI-AUTOMATIC ROTARY ARM WITH POWER STRETCH FILM DELIVERY SYSTEM

### TECHNICAL SPECIFICATIONS AND FEATURES

#### ROTARY ARM

- Ring gear bearing drive
- 4-12 RPM variable speed
- 3/4 HP AC rotary arm drive
- Soft stop and start
- Film carriage up/down fixed speed with 20% overlap
- 1/2 HP AC film carriage drive
- 1/2" chain film carriage drive
- Load height sensing photocell
- Load capacity: 48" x 48" x 79"

#### SAFETY FEATURES

- Cycle start acoustic signal
- Warning light for machine in operation
- Arm rotation stopping device by emergency bumper
- Dual photocell technology for detecting obstacles and controlling load profile

#### STANDARD SUPPLY VOLTAGE

- 120 VAC / 1 Ph / 60 Hz

#### CONTROL BOARD BY MICROPROCESSOR WITH DIGITAL PUSH BUTTONS FOR ADJUSTMENT AND SELECTION OF LOAD WRAPPING PARAMETERS

##### Parameters adjustable from control panel:

- Number of bottom wraps
- Number of top wraps
- Photocell sensing delay for top overlap
- Stretch ratio adjustment
- Force to load controls (top, bottom, up and down)

##### Cycles selectable from control panel:

- Full wrapping (up & down)
- Single cycle (up only)
- Single cycle (down only)
- Water proof cycle
- Cycle with reinforcement wraps
- Top platen wrapping cycle (optional)

##### Controls:

- 4 pre-set wrapping cycles
- Reset
- Stop
- +/- selection
- Main switch

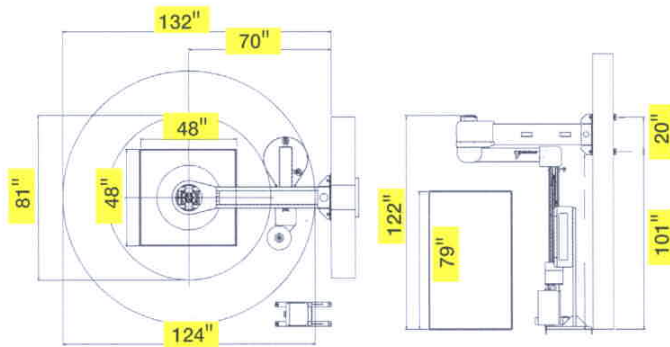
### OPTIONS

- Rotating arm for load height: 94" and 110"
- Pneumatic top platen (stroke 39")
- Film carriage variable speed
- Supporting legs

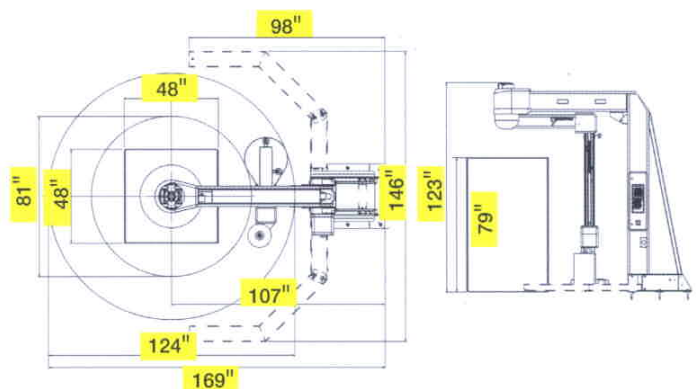
#### Film delivery system:

- 20" PFS film carriage with powered pre-stretch system
- Stretch ratio adjustable from 0% to 250%/300%
- Force to load controlled by strain gauge and selectable from control panel
- Safety stop at film carriage bottom

**ROTOWRAP W**  
(Wall Mount)



**ROTOWRAP C**  
(Floor Mount)



Technical specifications may vary without notice.

ROBOPAC is a leading manufacturer of automatic and semi-automatic Stretch Wrappers, Horizontal Spiral Wrappers and Shrink machines.

Call AETNA GROUP toll-free for complete details.



**w.w.Cannon, Inc.**