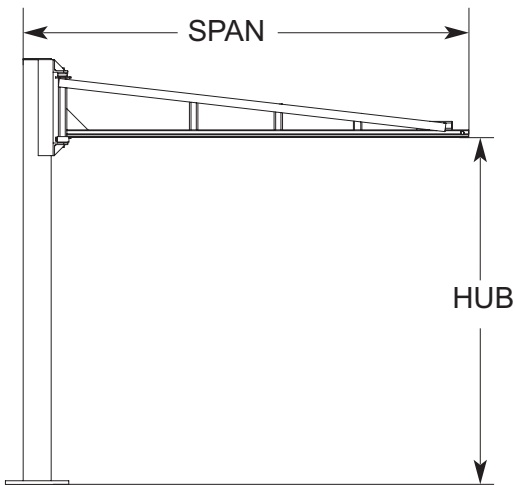


# 150 lb. Tool Solutions Jibs

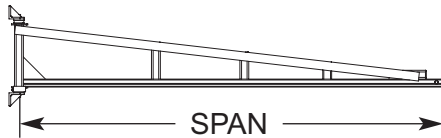
w.w.Cannon, Inc.

## Free Standing



Capacity	HUB	Span	Model Number	Shipping Weight	Price
150#	8'	4'	TSJ150-FS-150-8-4	311#	\$1029
		6'	TSJ150-FS-150-8-6	321#	\$1041
		8'	TSJ150-FS-150-8-8	337#	\$1061
		10'	TSJ150-FS-150-8-10	345#	\$1076
		12'	TSJ150-FS-150-8-12	355#	\$1092
	10'	4'	TSJ150-FS-150-10-4	348#	\$1087
		6'	TSJ150-FS-150-10-6	358#	\$1104
		8'	TSJ150-FS-150-10-8	375#	\$1115
		10'	TSJ150-FS-150-10-10	383#	\$1127
		12'	TSJ150-FS-150-10-12	393#	\$1145

## Wall Mounted

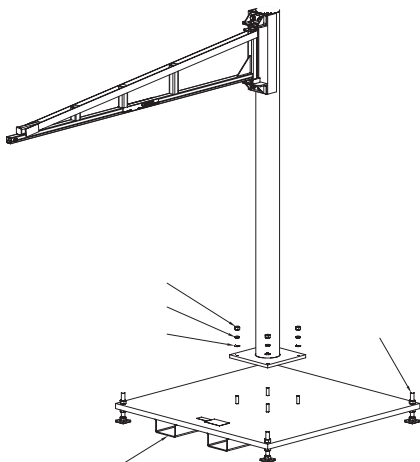


**150# Jib Price Includes:** 250 series track, (1) standard 250 series hoist trolley.

Capacity	Span	Model Number	Shipping Weight	Price
150#	4'	TSJ150-WM-150-4	45#	\$483
	6'	TSJ150-WM-150-6	55#	\$499
	8'	TSJ150-WM-150-8	71#	\$525
	10'	TSJ150-WM-150-10	79#	\$551
	12'	TSJ150-WM-150-12	89#	\$578

## Portable Base

(for 150 lb. Jib Only)



Fork pocket dimensions = 7-1/4" inside width, 3-1/2" inside depth, and 20-1/2" from centerline to centerline.

Height from floor to bottom of plate = 4" min. / 6" max.

Span	PORTABLE BASES FOR TOOL SOLUTIONS JIBS				
	Capacity	50#	75#	100#	150#
4'	Model Number	PB-48-10	PB-48-10	PB-48-10	PB-48-12
	Price	\$2,520	\$2,520	\$2,520	\$2,861
	Square Length	48"	48"	48"	48"
	Shipping Weight	696#	696#	696#	858#
6'	Model Number	PB-48-10	PB-48-10	PB-48-12	PB-48-12
	Price	\$2,520	\$2,520	\$2,861	\$2,861
	Square Length	48"	48"	48"	48"
	Shipping Weight	696#	696#	858#	858#
8'	Model Number	PB-48-10	PB-48-10	PB-48-12	PB-54-12
	Price	\$2,520	\$2,520	\$2,861	\$3,360
	Square Length	48"	48"	48"	54"
	Shipping Weight	696#	696#	858#	1098#
10'	Model Number	PB-48-10	PB-48-12	PB-54-12	PB-60-12
	Price	\$2,520	\$2,861	\$3,360	\$3,833
	Square Length	48"	48"	54"	60"
	Shipping Weight	696#	858#	1098#	1363#
12'	Model Number	PB-48-12	PB-54-12	PB-60-12	PB-60-15
	Price	\$2,861	\$3,360	\$3,833	\$4,410
	Square Length	48"	54"	60"	60"
	Shipping Weight	858#	1098#	1363#	1617#

**Price Includes:** fork pockets, leveling feet and mast mounting hardware.

w.w.Cannon, Inc.

MATERIAL HANDLING PACKAGING  
AND STORAGE PLANNING SPECIALISTS  
2653 Brenner Drive Dallas, TX 75220  
Toll Free 800-442-3061 214-357-2846 214-357-4576  
WWW.WWCANNON.COM